

SERVICE BULLETIN

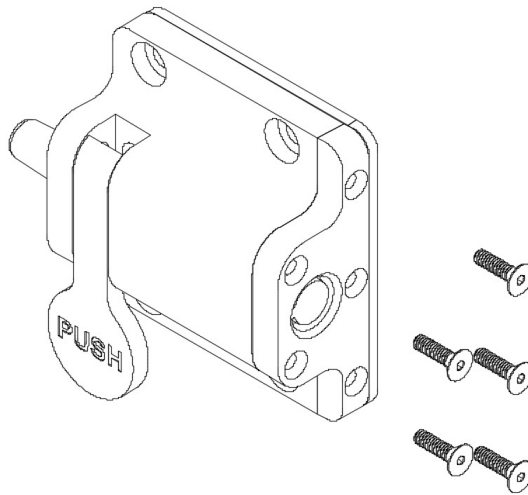
SUBJECT: Machine screws holding the cap to the body could work loose. It has been identified that a limited lot of 1/2 inch, 8-32 screws were found mixed with 5/8 inch x 8-32 screws.

Note: This was a very limited production lot which was shipped before 7/1/2019. It is recommended that the cap screws be checked and replaced if needed.

SERVICE RECOMMENDED:

Replace 1/2 inch x 8-32 screw with 5/8 inch x 8-32 screw, if needed.

* If desired, blue thread lock may be applied to the replacement screw. For replacement screws, please contact Service@teacherlock.com with your mailing address and the desired number of screws.



For technical support, please email: service@teacherlock.com Or call: 978-286-8855 For spare parts or additional keys, please visit our website at: www.teacherlock.com

TeacherLock is a product of DefCon Products, LLC. 808 Main Street, Fitchburg MA 01420